

# Ventilating Fan Specifications

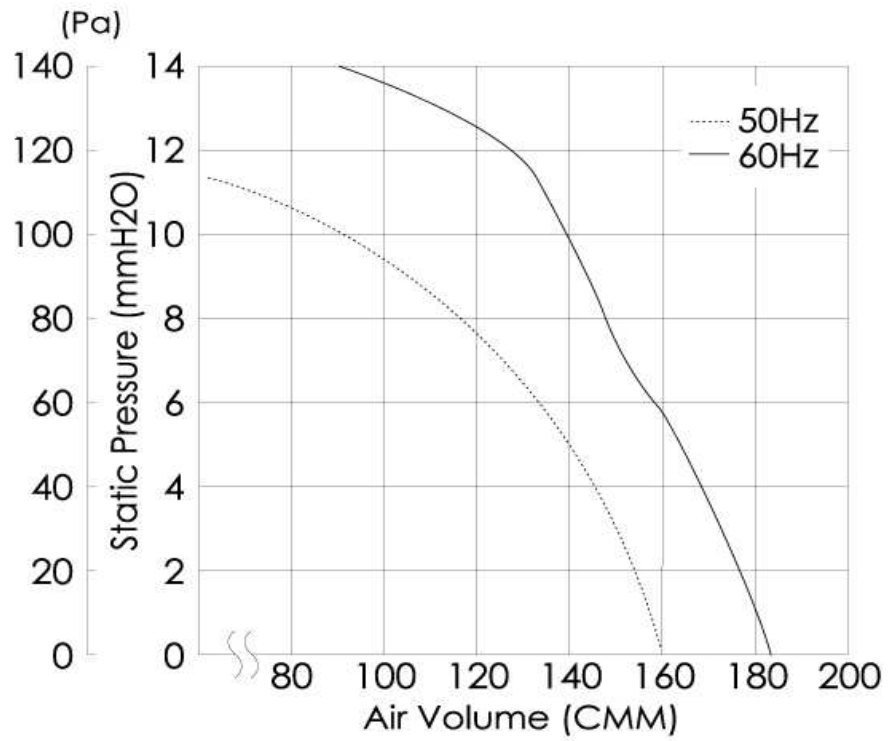
**Model 60GTC**

|                   |               | 200V  |        | 220V  |        | 380V  |        | 400V  | 415V  | 440V  |
|-------------------|---------------|-------|--------|-------|--------|-------|--------|-------|-------|-------|
|                   |               | 50Hz  | 60Hz   | 50Hz  | 60Hz   | 50Hz  | 60Hz   | 50Hz  | 50Hz  | 50Hz  |
| Air Volume        | CMH $\pm$ 10% | 9,360 | 10,800 | 9,420 | 10,860 | 9,420 | 10,920 | 9,510 | 9,540 | 9,540 |
| Power Consumption | W $\pm$ 15%   | 325   | 475    | 340   | 490    | 310   | 450    | 345   | 325   | 335   |
| Current           | A $\pm$ 15%   | 1.60  | 1.80   | 1.70  | 1.80   | 0.85  | 0.90   | 0.90  | 0.89  | 0.94  |
| Speed             | R/M $\pm$ 10% | 940   | 1,090  | 960   | 1,110  | 940   | 1,070  | 940   | 950   | 950   |
| Starting Current  | A             | 8.0   | 7.1    | 8.6   | 7.8    | 3.6   | 3.5    | 3.7   | 3.8   | 4.0   |
| Noise             | dB (A)        | 49    | 53     | 50    | 54     | 49    | 53     | 49    | 49    | 49    |

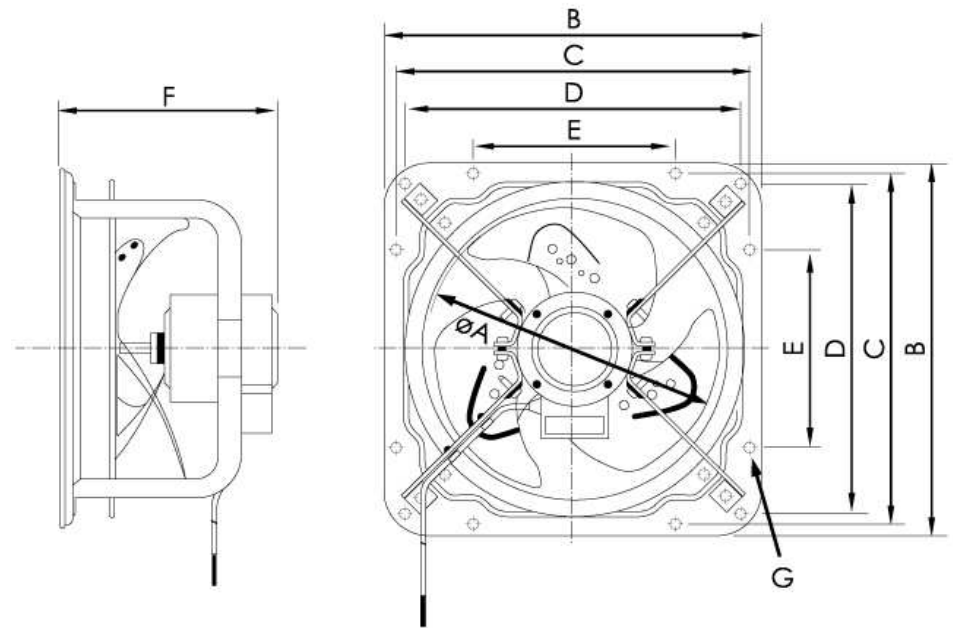
at 0mmAq. Static pressure.

- |                                |   |
|--------------------------------|---|
| 1. Power Rating -----          | 3 PASE AC 200-220V 50/60Hz<br>3 PASE AC 380-440V 50Hz. AC 380V 60Hz |
| 2. Motor Type -----            | 3 PASE induction motor. Class E. 6 Pole                             |
| 3. Blade Type -----            | Propeller fan   |
| 4. Ambient temperature -----   | - 10 to 50 deg.C  |
| 5. Insulation Resistance ----- | More than 1 meg ohm   |
| 6. Electric Strength -----     | AC 1500V 1 minute   |
| 7. Weight -----                | 34.0 Kg   |
| 8. Color -----                 | White   |

## Performance Data



## Dimension



|       |     |     |     |     |     |     |    |
|-------|-----|-----|-----|-----|-----|-----|----|
| 60GTC | A   | B   | C   | D   | E   | F   | G  |
|       | 620 | 760 | 720 | 650 | 400 | 320 | 15 |