



**ADVANCING  
VENTILATION**

# MODEL PV-POWERVENT

For High Static Pressure Applications



## FEATURES

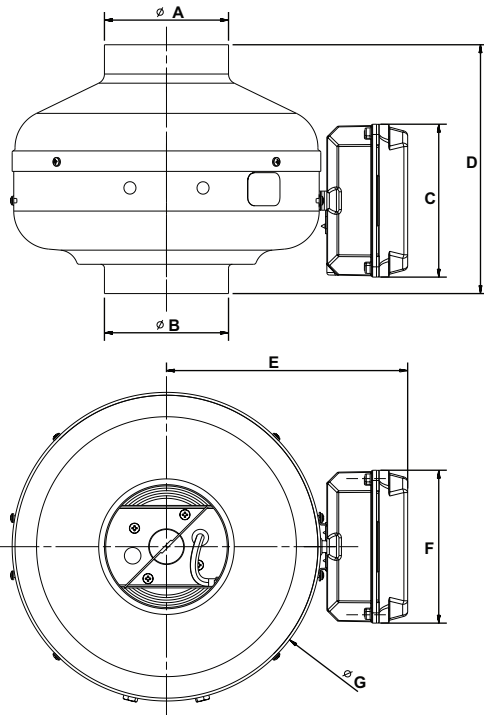
- Exhaust air up to 942 CFM with static pressure capabilities to 1-1/2" w.g.
- Galvanized steel casing with black baked enamel coating
- Pre-wired junction box
- Ideal for applications where space is limited
- Non-overloading backward inclined wheel for efficiency at higher static pressures
- AMCA Seal for Air Performance
- cULus Listed



cULus Listed  
Standards 507 & 705



## DIMENSIONS IN INCHES/MM



Model	A	B	C	D	E	F	G	Weight lbs(kgs)
PV-100x	3 <sup>13/16</sup> 97.5	3 <sup>13/16</sup> 97.5	4 <sup>3/4</sup> 120	7 <sup>11/16</sup> 196	7 <sup>1/2</sup> 190	4 <sup>3/4</sup> 120	9 <sup>9/16</sup> 243	7 3.0
PV-125x	4 <sup>13/16</sup> 122.5	4 <sup>13/16</sup> 122.5	4 <sup>3/4</sup> 120	7 <sup>13/16</sup> 198	7 <sup>1/2</sup> 190	4 <sup>3/4</sup> 120	9 <sup>9/16</sup> 243	7 3.0
PV-150x	5 <sup>13/16</sup> 147	5 <sup>13/16</sup> 147	4 <sup>3/4</sup> 120	8 <sup>7/16</sup> 214	9 <sup>5/16</sup> 236	4 <sup>3/4</sup> 120	13 <sup>1/8</sup> 334	11 5.0
PV-200x	7 <sup>13/16</sup> 198	7 <sup>13/16</sup> 198	4 <sup>3/4</sup> 120	8 <sup>3/4</sup> 223	9 <sup>5/16</sup> 236	4 <sup>3/4</sup> 120	13 <sup>1/8</sup> 334	11 5.0
PV-250x	9 <sup>3/4</sup> 248	9 <sup>3/4</sup> 248	4 <sup>3/4</sup> 120	8 <sup>1/16</sup> 205	9 <sup>5/16</sup> 236	4 <sup>3/4</sup> 120	13 <sup>1/8</sup> 334	13 6.0
PV-315	12 <sup>5/16</sup> 312	12 <sup>5/16</sup> 312	4 <sup>3/4</sup> 120	9 <sup>3/16</sup> 233	10 <sup>9/16</sup> 269	4 <sup>3/4</sup> 120	15 <sup>13/16</sup> 401	21 10.0
PV-315x	12 <sup>5/16</sup> 312	12 <sup>5/16</sup> 312	4 <sup>3/4</sup> 120	9 <sup>3/16</sup> 233	10 <sup>9/16</sup> 269	4 <sup>3/4</sup> 120	15 <sup>13/16</sup> 401	21 10.0

## SPECIFICATIONS

Model	Duct (IN)	Max CFM	Voltage/Frequency	Max Watts	Current	Max SP	Max Temperature of Transported air
PV-100X	4	153	115V/60Hz	84W	0.8A	1.85"	140°F
PV-125X	5	206	115V/60Hz	85W	0.8A	1.77"	140°F
PV-150X	6	390	115V/60Hz	135W	1.0A	2.05"	140°F
PV-200X	8	544	115V/60Hz	180W	1.76A	2.64"	140°F
PV-250X	10	618	115V/60Hz	214W	1.5A	2.8"	140°F
PV-315	12.4	669	115V/60Hz	200W	1.5A	2.21"	140°F
PV-315X	12.4	943	115V/60Hz	365W	2.4A	3.9"	140°F

All specifications are subject to change without notice unless approved in submittal by S&P.  
PV\_Submittal\_v.4 / 02.21